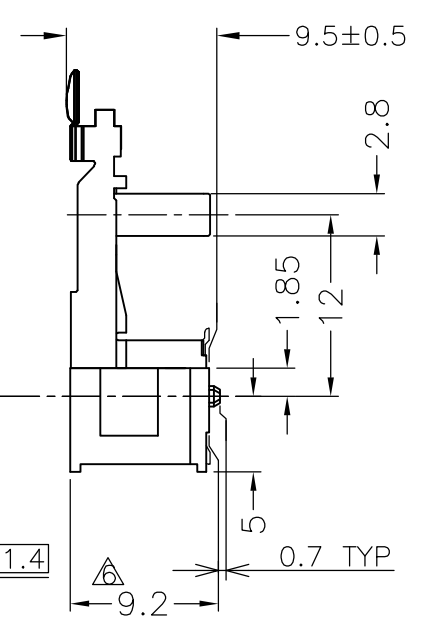
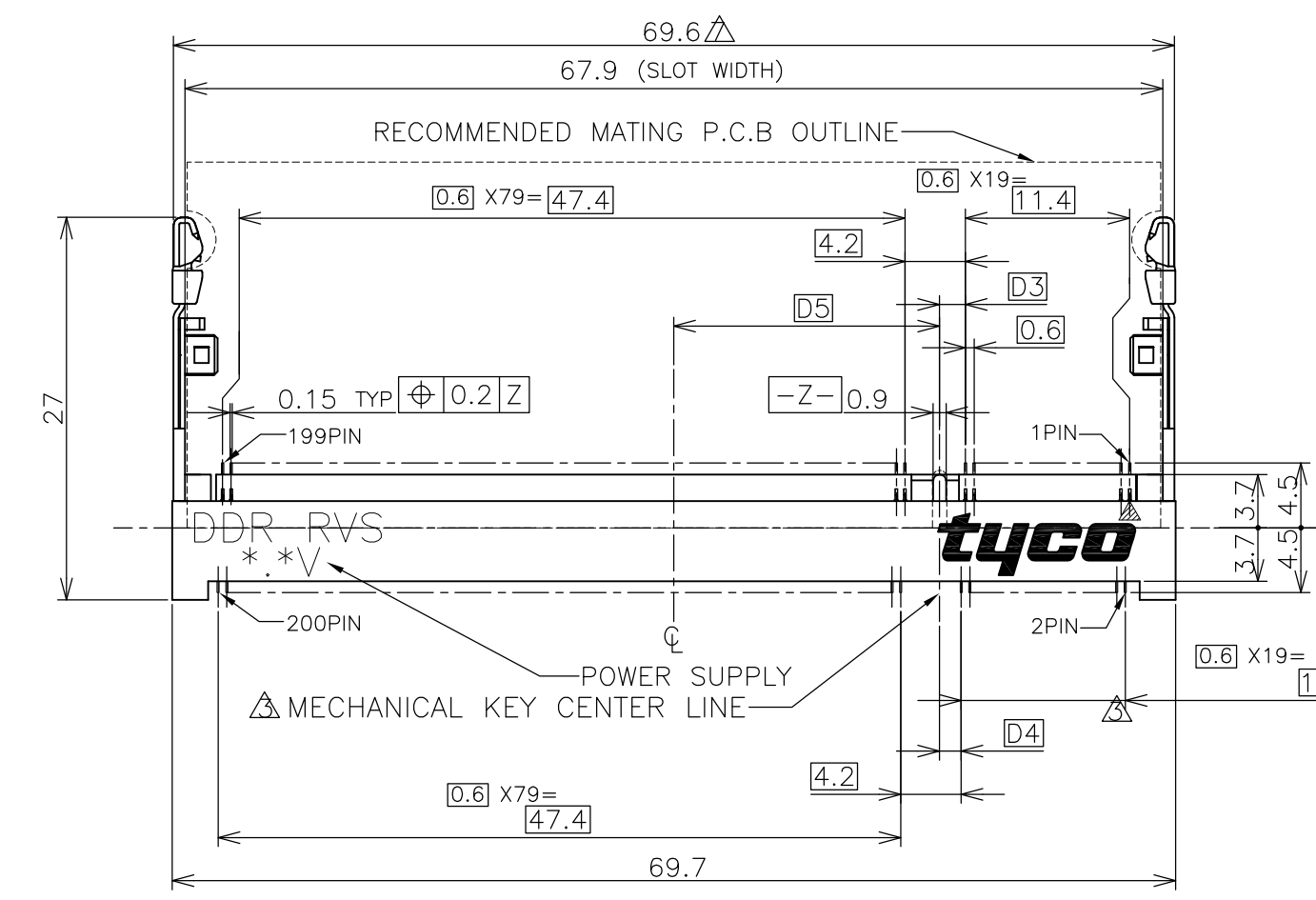
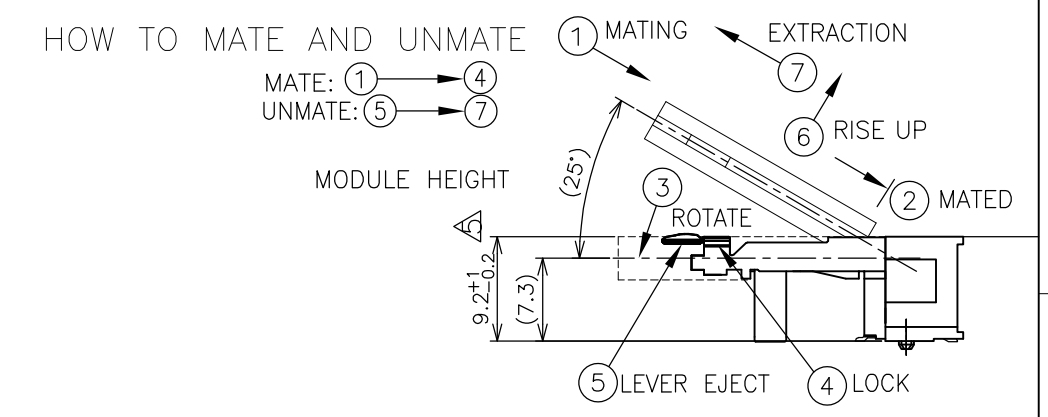
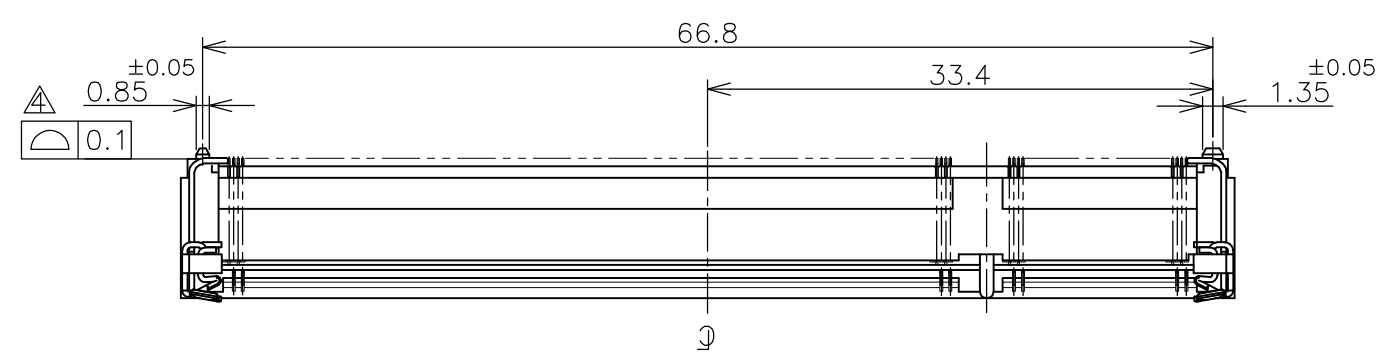


THIS DRAWING IS UNPUBLISHED. RELEASED FOR PUBLICATION MAR, 2007.  
 © COPYRIGHT 2007 BY TYCO ELECTRONICS CORPORATION. ALL RIGHTS RESERVED.

LOC	DIST	REVISIONS			
P	LTR	DESCRIPTION	DATE	DWN	APVD
J		B	REVISED PER ECR-07-016720	16JUL07	SA.Y S.Y



- (APPLIED TO SHEET 1-2)
- MATERIAL ; HOUSING: HIGH TEMPERATURE THERMO PLASTIC UL94V-0  
CONTACT: COPPER ARROY  
LOCK LEVER: STAINLESS STEEL
  - FINISH ; CONTACT AREA: GOLD PLATING ON ALL OVER NICKEL.  
SOLDERING AREA: GOLD FLASH PLT.  
LOCK LEVER: TIN PLATING.
- MECHANICAL KEY POSITION OF CONNECTOR SEE TABLE.
  - COPLANARITY : 0.1 MAX.
  - THE FLOATING VALUE BY SOLDERING IS NOT INCLUDED.
  - NOT MATING CONDITION.
  - IN CASE OF MODULE BOARD LOCK AND EJECT, LATCH MAXIMUM WIDTH: 75mm.
  - TOLERANCES NON-CUMULATIVE.
  - CARD GUIDE AND STRUT COMPONENT KEEP-OUT ZONE.
  - INSIDE MUST BE RESIST COAT EXCEPT SOLDER PATTERN.

GENERAL TOLERANCE  
 10 ≥ : ±0.2  
 30 ≥ > 10: ±0.3  
 100 ≥ > 30: ±0.5  
 ANGLES: ±3'

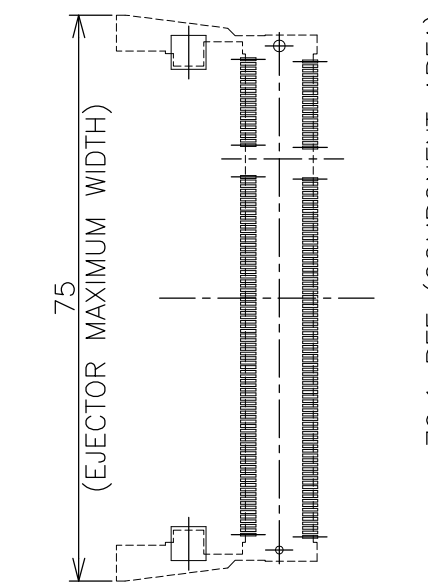
THIS DRAWING IS A CONTROLLED DOCUMENT.

DIMENSIONS: MM	TOLERANCES UNLESS OTHERWISE SPECIFIED:
	0 PLC ± -
	1 PLC ± -
	2 PLC ± -
	3 PLC ± -
	4 PLC ± -
	ANGLES ± -
MATERIAL	FINISH ± -

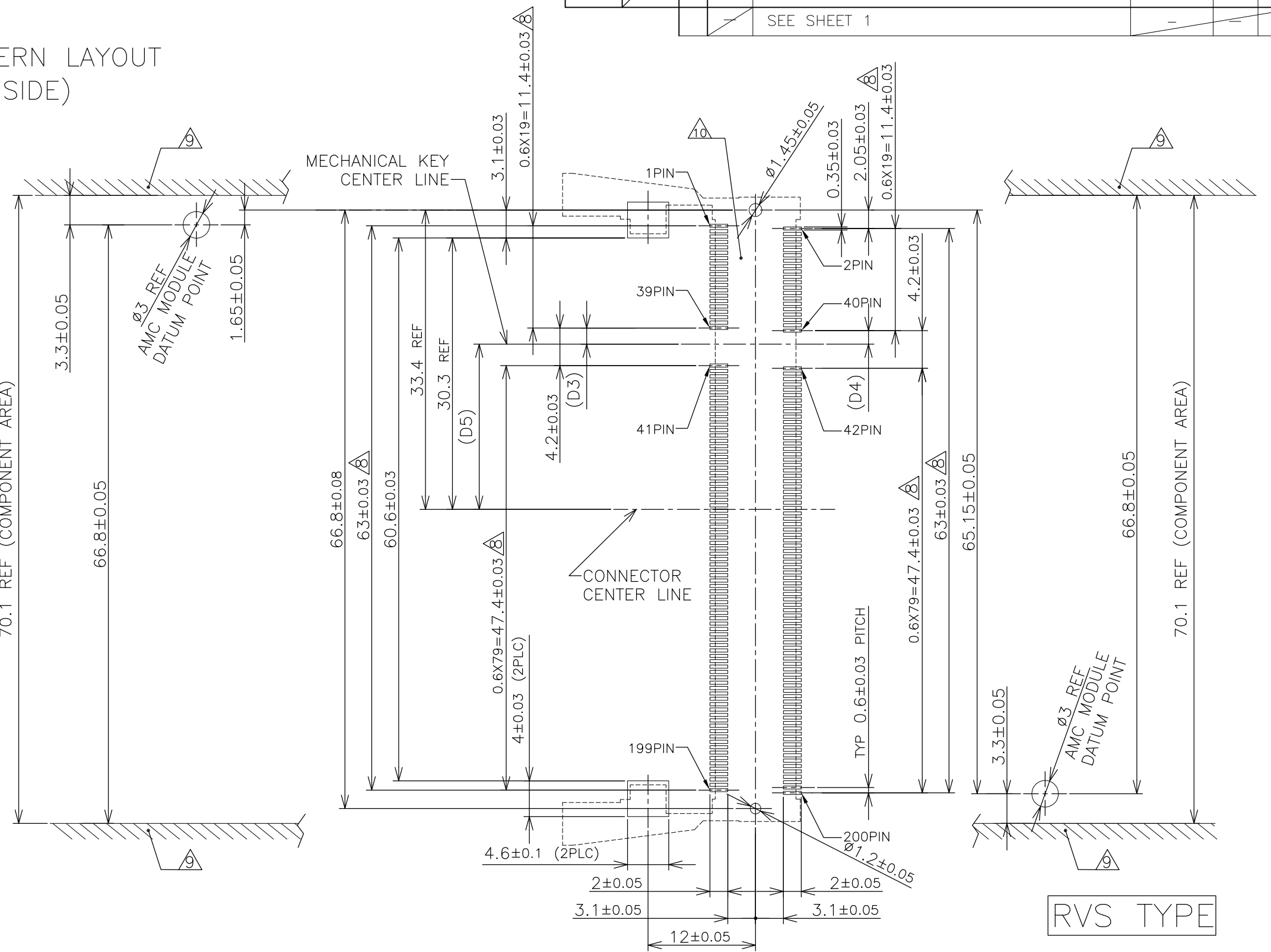
1.8V (DDR2)	17.55	2.4	2.7	200	1981287-4
POWER SUPPLY (TYPE)	D5	D4	D3	POS	PART NO.
DWN LEO ZHOU 07MAR07	Tyco Electronics Corporation Kawasaki, Japan				
CHK T.FUMIKURA 07MAR07	NAME				
APVD K.IKEGAMI 07MAR07	DDR SODIMM SOCKET 0.6mm PITCH 200POS 9.2H RVS TYPE TO FIT AMC APPLICATIONS				
PRODUCT SPEC 108-5701	SIZE	CAGE CODE	DRAWING NO	RESTRICTED TO	
APPLICATION SPEC	A3		C-1981287		
WEIGHT 8.3g	CUSTOMER DRAWING				
SCALE 2:1			SHEET 1 OF 4		REV B

LOC	DIST	P	LTR	DESCRIPTION	DATE	DWN	APVD
J				SEE SHEET 1			

# REFERENCE P.C. BOARD PATTERN LAYOUT (CONNECTOR MOUNTING SIDE)



REAL SIZE (SCALE 1:1)

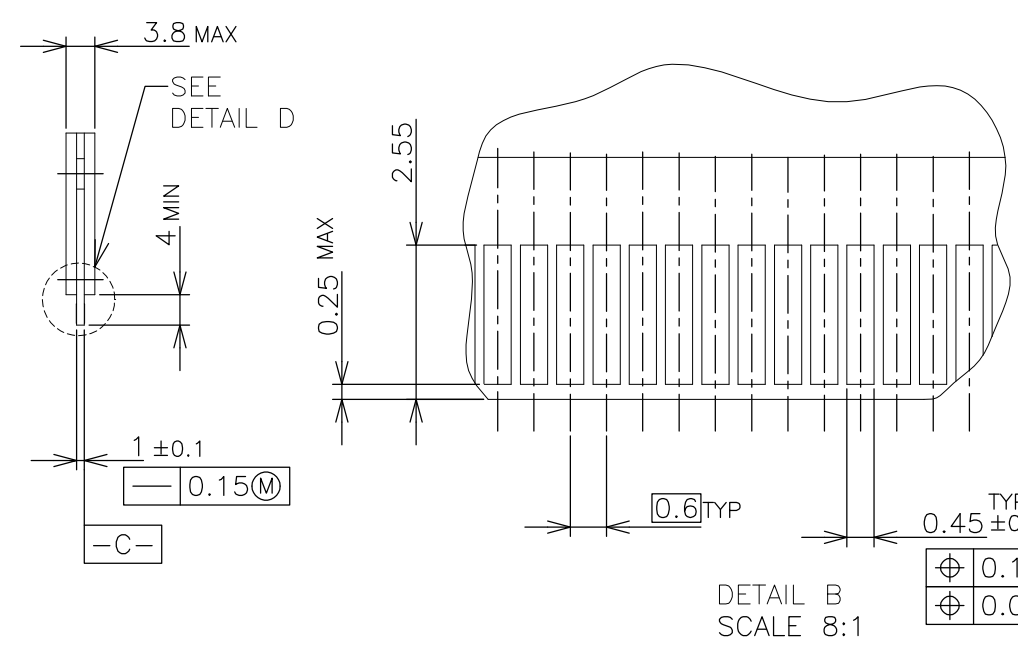
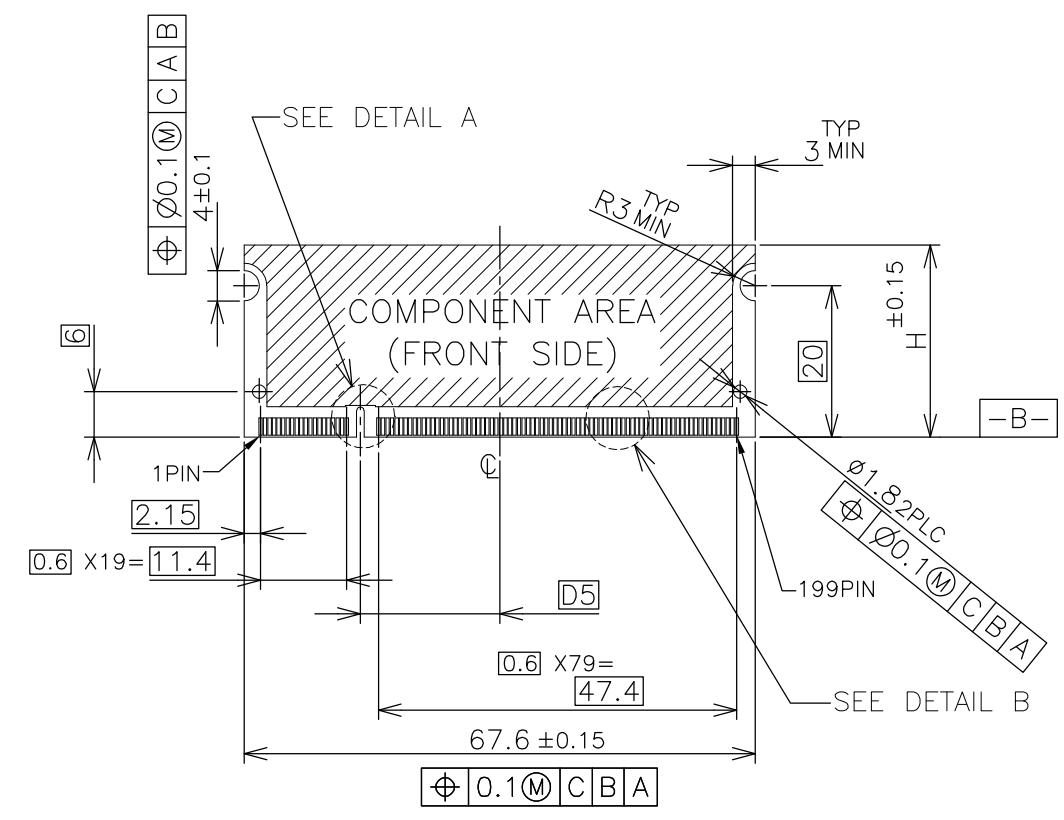


1.8V	17.55	2.4	2.7
POWER SUPPLY	D5	D4	D3

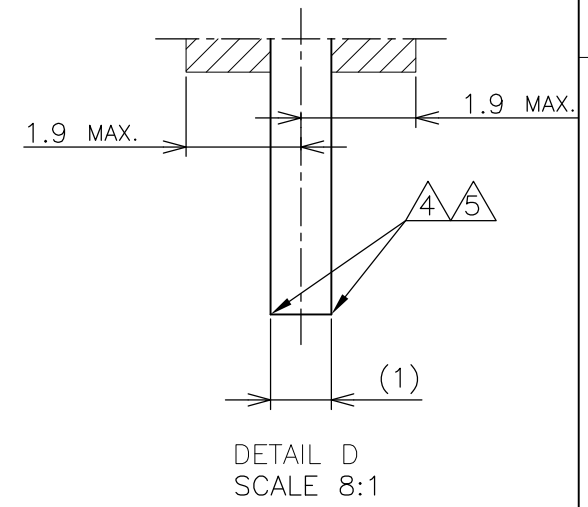
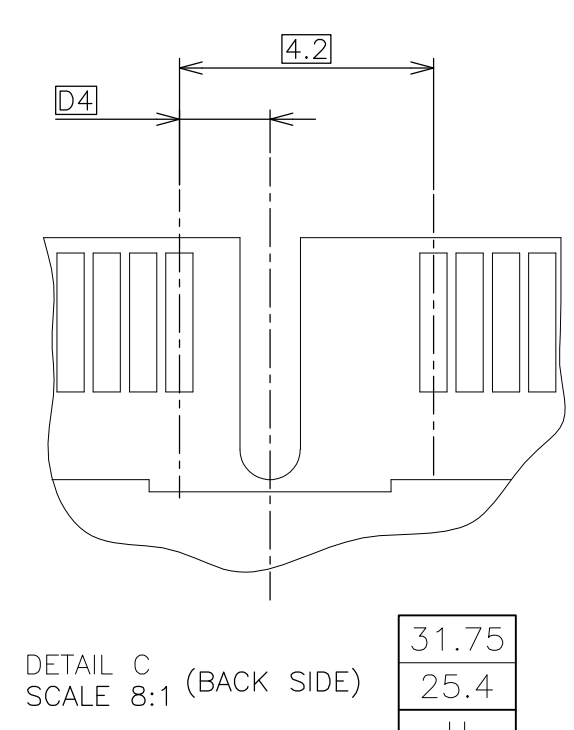
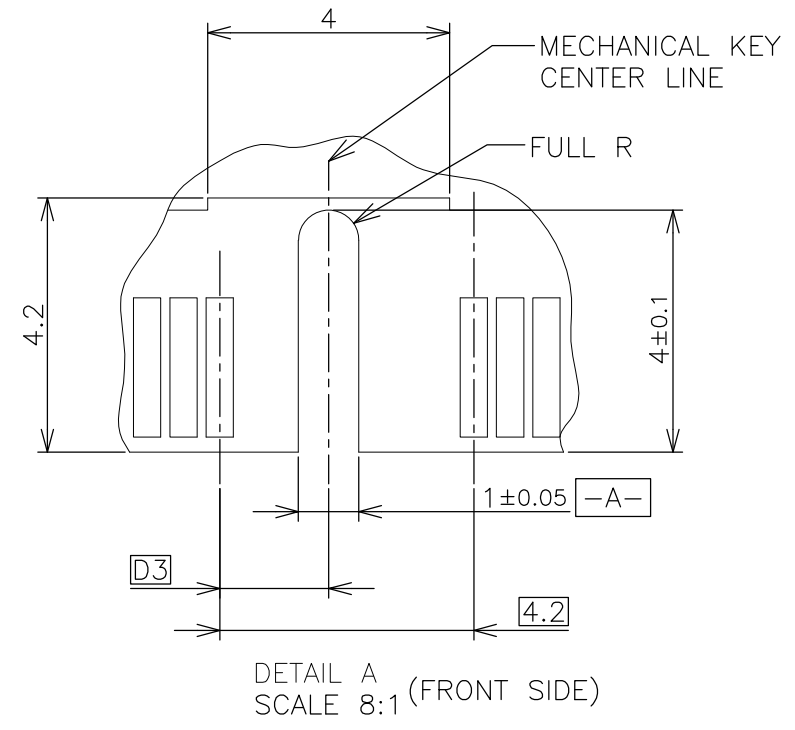
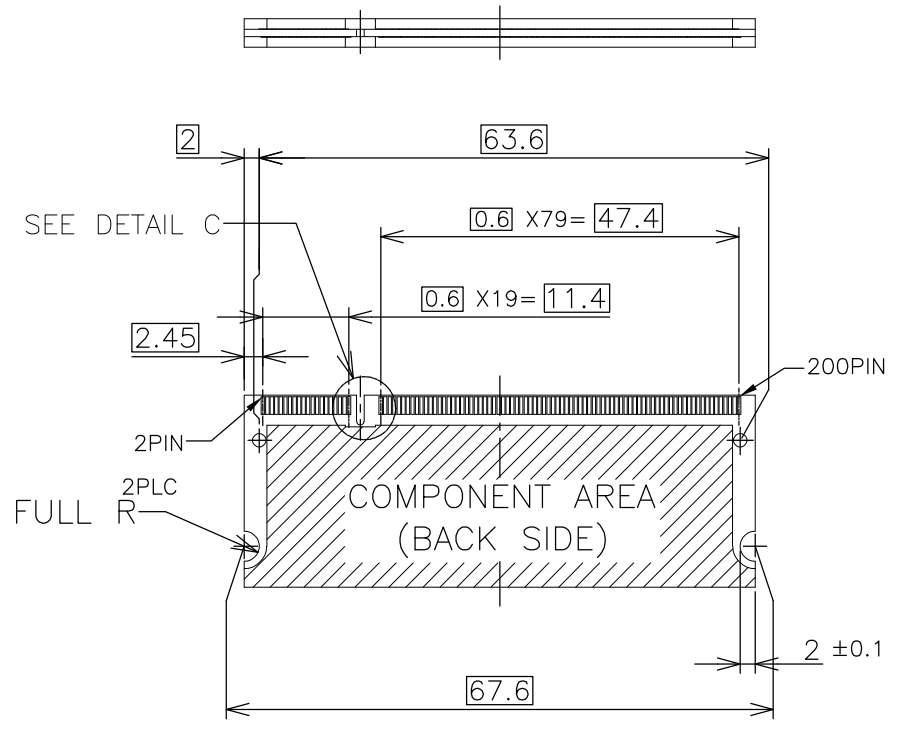
THIS DRAWING IS A CONTROLLED DOCUMENT.		DWN	Tyco Electronics Tyco Electronics Corporation Kawasaki, Japan			
DIMENSIONS: MM	TOLERANCES UNLESS OTHERWISE SPECIFIED:	CHK	NAME			
 0 PLC ± 1 PLC ± 2 PLC ± 3 PLC ± 4 PLC ± ANGLES ± FINISH ±		APVD	DDR SODIMM SOCKET 0.6mm PITCH 200POS 9.2H RVS TYPE TO FIT AMC APPLICATIONS			
		PRODUCT SPEC	SIZE	CAGE CODE	DRAWING NO	RESTRICTED TO
		APPLICATION SPEC	A3		G-1981287	
		MATERIAL	WEIGHT	CUSTOMER DRAWING		
		SCALE 2:1		SHEET 2 OF 4	REV B	

THIS DRAWING IS UNPUBLISHED. RELEASED FOR PUBLICATION MAR ,2007.  
 © COPYRIGHT 2007 BY TYCO ELECTRONICS CORPORATION. ALL RIGHTS RESERVED.

LOC	DIST	REVISIONS		
J	/	P	LTR	DESCRIPTION
				DATE
				DWN
				APVD
		SEE SHEET 1		



- (APPLIED TO SHEET 3)
- 1 TOLERANCES ON ALL DIMENSIONS ±0.15 UNLESS OTHERWISE SPECIFIED.
  - 2 P.C. BOARD THICKNESS APPLIES ACROSS TABS AND INCLUDES PLATING AND/OR METALIZATION.
  - 3 FINISH OF PAD : GOLD PLATING 0.00076 MIN. OVER Ni PLATING 0.002MIN.
- △ NO BURR.  
 △ CHAMFER 0.25 MAX x 45° IF EXIST.

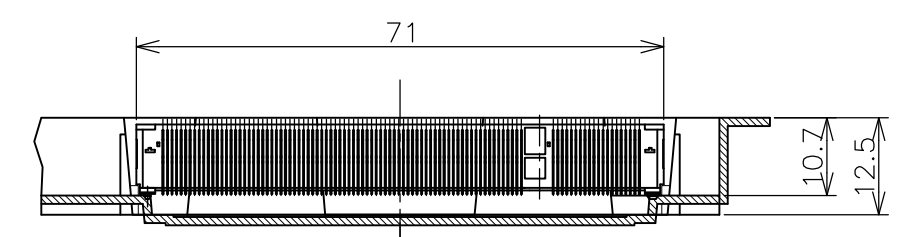
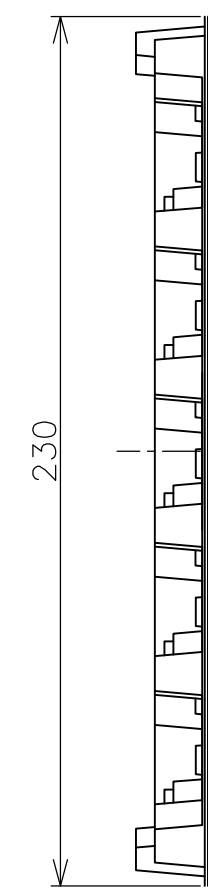
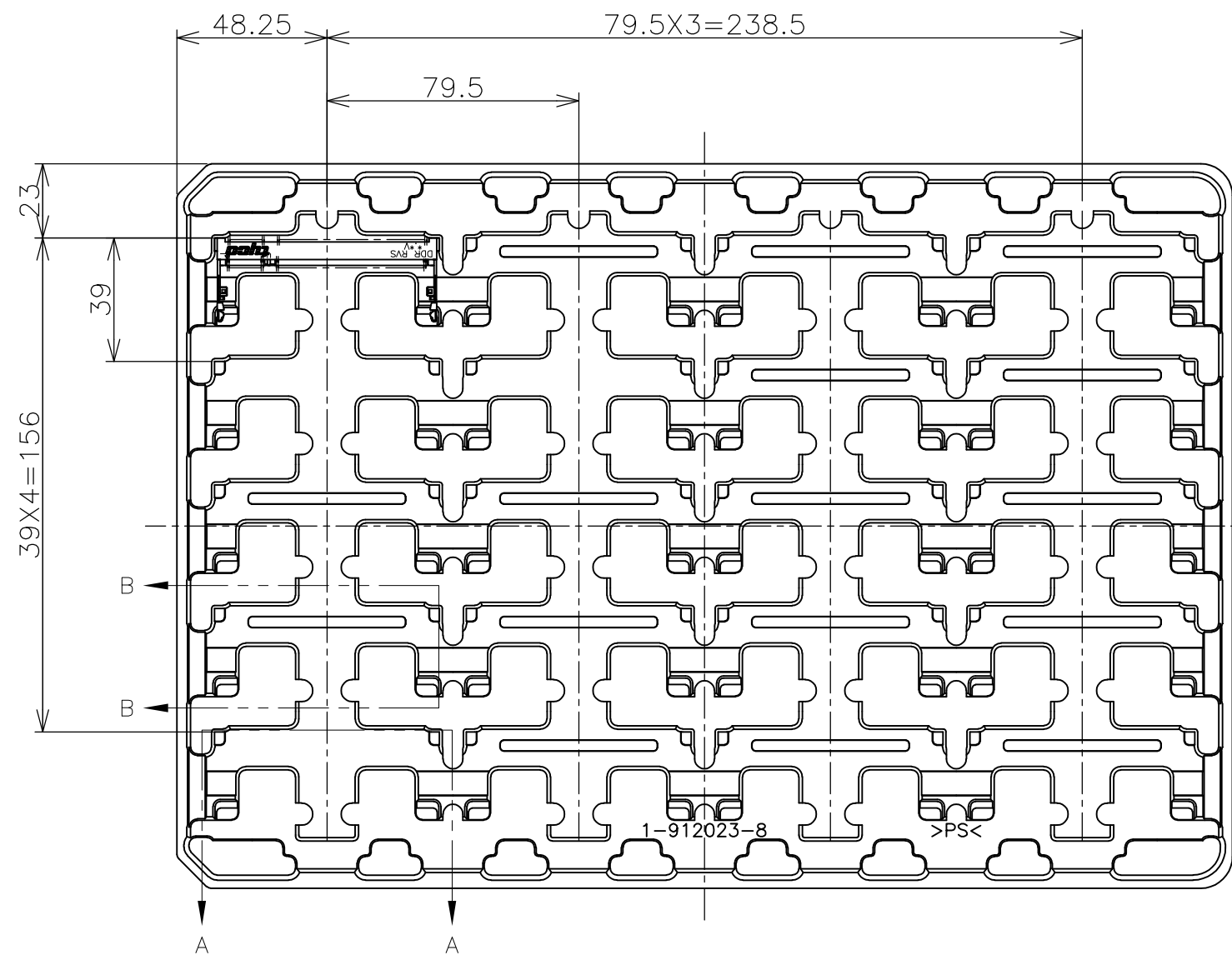


RECOMMENDED MATING P.C.B CONFIGURATION

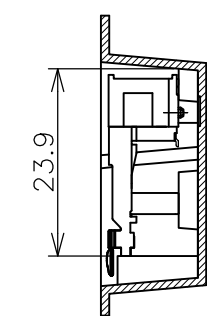
THIS DRAWING IS A CONTROLLED DOCUMENT.		DWN	31.75		
DIMENSIONS: MM		CHK	25.4		
TOLERANCES UNLESS OTHERWISE SPECIFIED:		APVD	H		
0 PLC ±		PRODUCT SPEC	1.8V		
1 PLC ±		APPLICATION SPEC	17.55		
2 PLC ±		WEIGHT	2.4		
3 PLC ±		CUSTOMER DRAWING	2.7		
4 PLC ±		SCALE	1:1		
ANGLES ±		SHEET	3 OF 4		
FINISH ±		REV	B		
MATERIAL		SIZE	A3		
		CAGE CODE	C-1981287		
		DRAWING NO	9.2H RVS TYPE		
		RESTRICTED TO	TO FIT AMC APPLICATIONS		

THIS DRAWING IS UNPUBLISHED. RELEASED FOR PUBLICATION MAR , 2007.  
 © COPYRIGHT 2007 BY TYCO ELECTRONICS CORPORATION. ALL RIGHTS RESERVED.

LOC	DIST	REVISIONS			
P	LTR	DESCRIPTION	DATE	DWN	APVD
		SEE SHEET 1	-	-	-

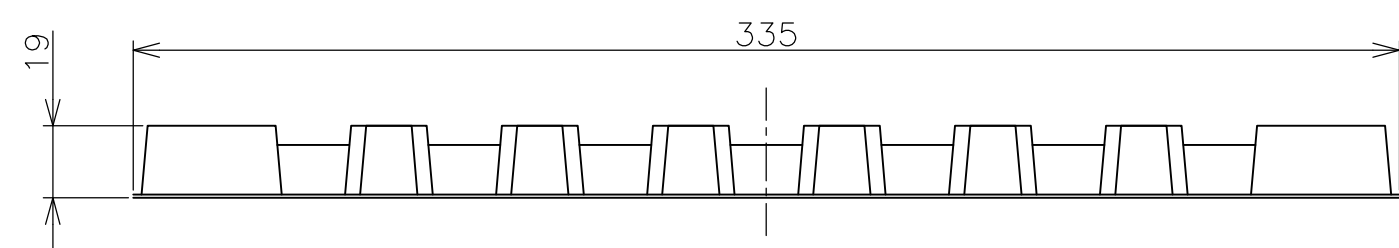


A+A  
SCALE 1:1  
(180DEG. ROTATE)



B-B  
SCALE 1:1

- (APPLIED TO SHEET 4)
1. THE DIRECTION OF EACH CONNECTOR ON A TRAY IS REFERRED TO THIS DRAWING.
  2. GENERAL TOLERANCE: ±0.5



20EA/TRAY	1981287-4
QTY	P/N

THIS DRAWING IS A CONTROLLED DOCUMENT.		DWN	Tyco Electronics Corporation Kawasaki, Japan			
DIMENSIONS: MM		CHK				
TOLERANCES UNLESS OTHERWISE SPECIFIED:		APVD	NAME			
0 PLC ± 0.5 1 PLC ± 0.5 2 PLC ± 0.5 3 PLC ± 0.5 4 PLC ± 0.5 ANGLES ± 3°		PRODUCT SPEC	DDR SODIMM SOCKET 0.6mm PITCH 200POS 9.2H RVS TYPE TO FIT AMC APPLICATIONS			
MATERIAL		APPLICATION SPEC	SIZE	CAGE CODE	DRAWING NO	RESTRICTED TO
FINISH		WEIGHT	A3		C-1981287	
CUSTOMER DRAWING			SCALE	SHEET	OF	REV
			1:2	4	4	B